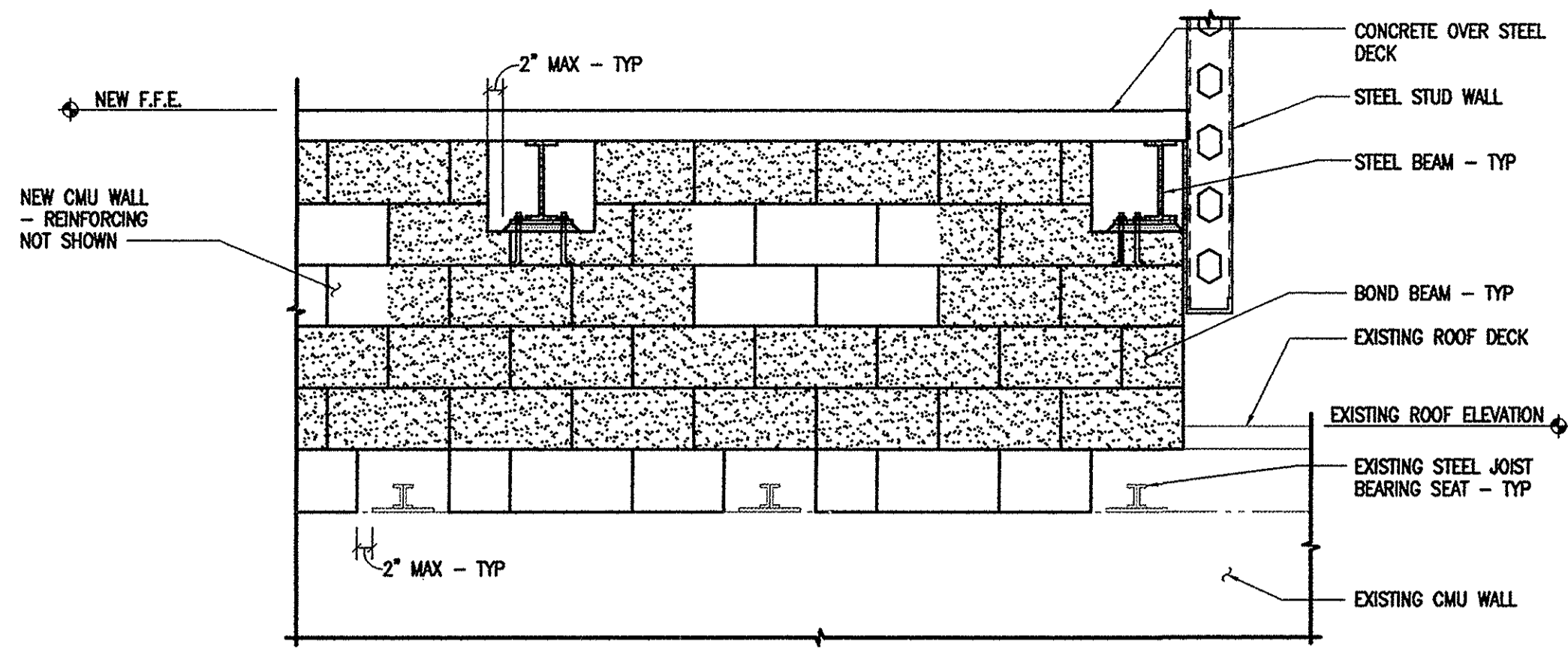
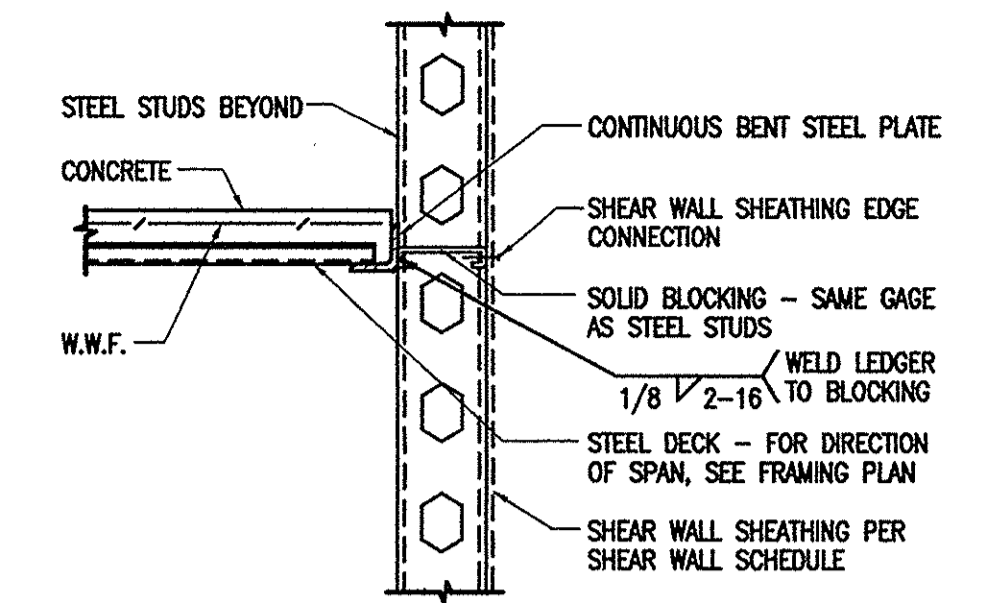


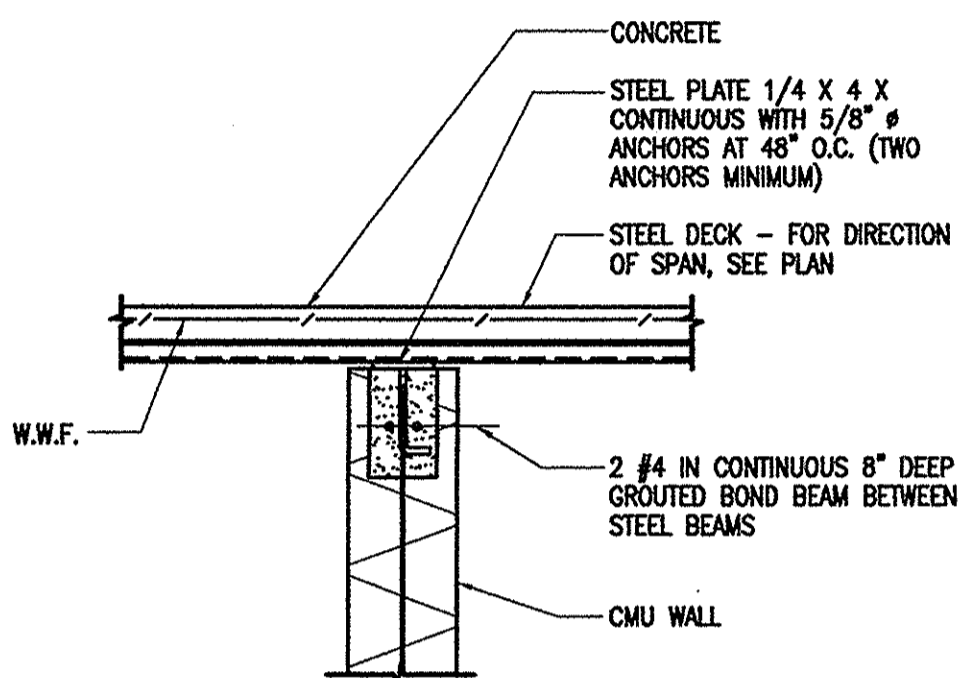
203 STEEL BEAM BEARING AT CMU WALL 517.08 R



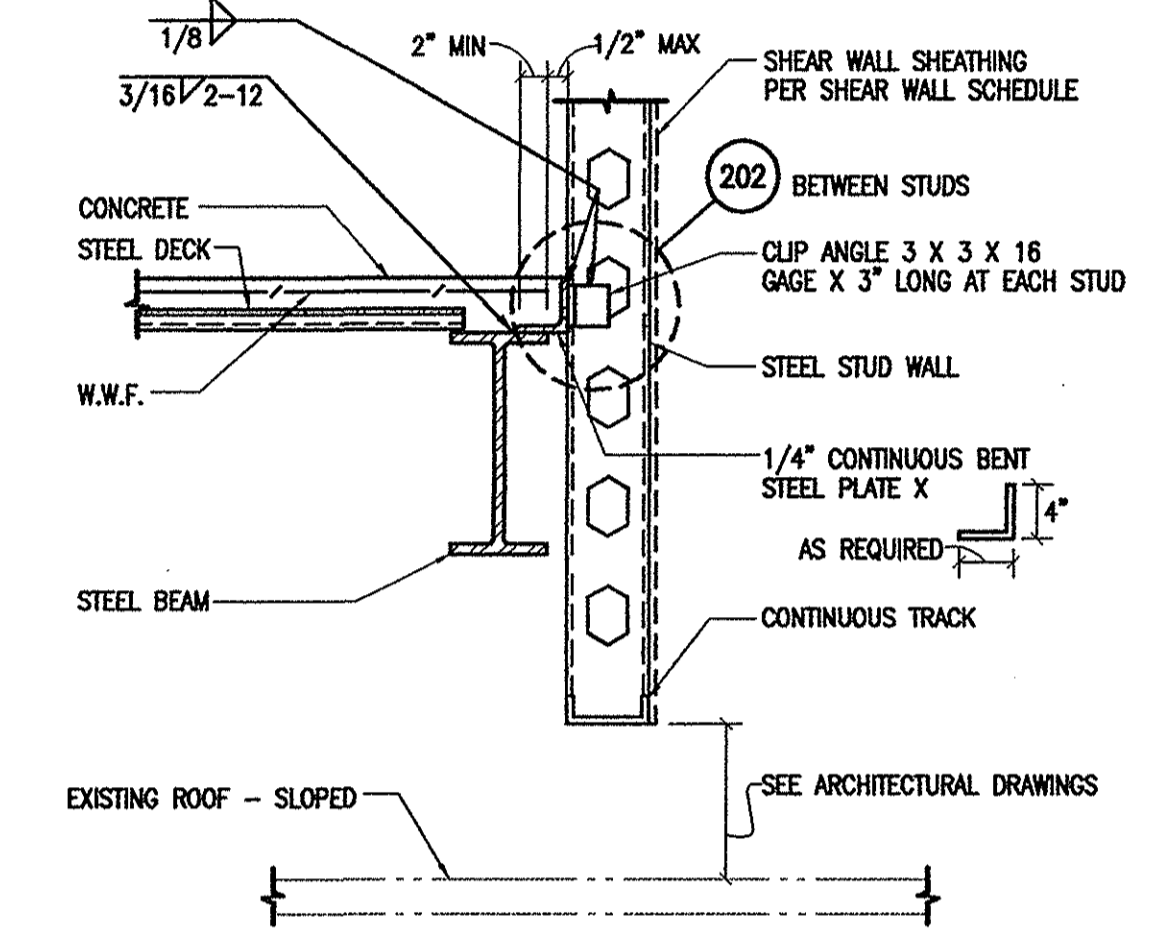
201 ELEVATION - NEW CMU WALL AT EXISTING CMU WALL T07084



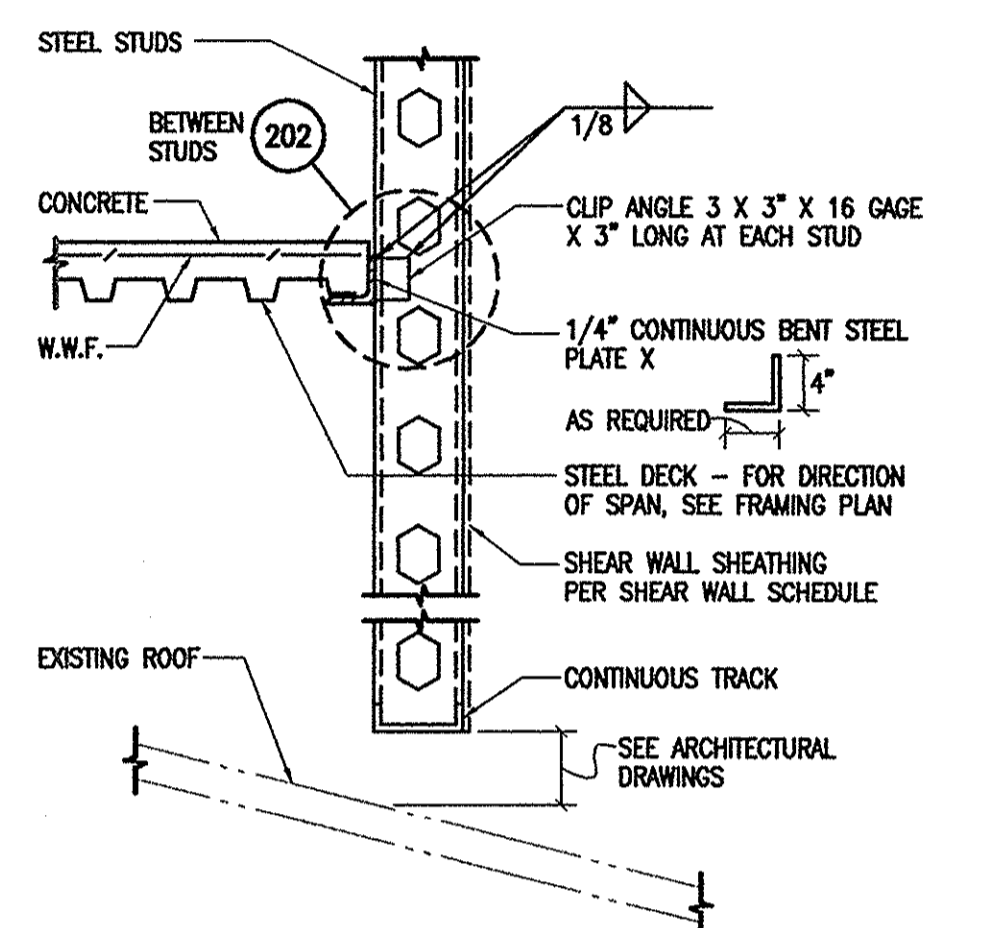
202 STEEL DECK CONNECTION AT STEEL STUDS 578.07 R



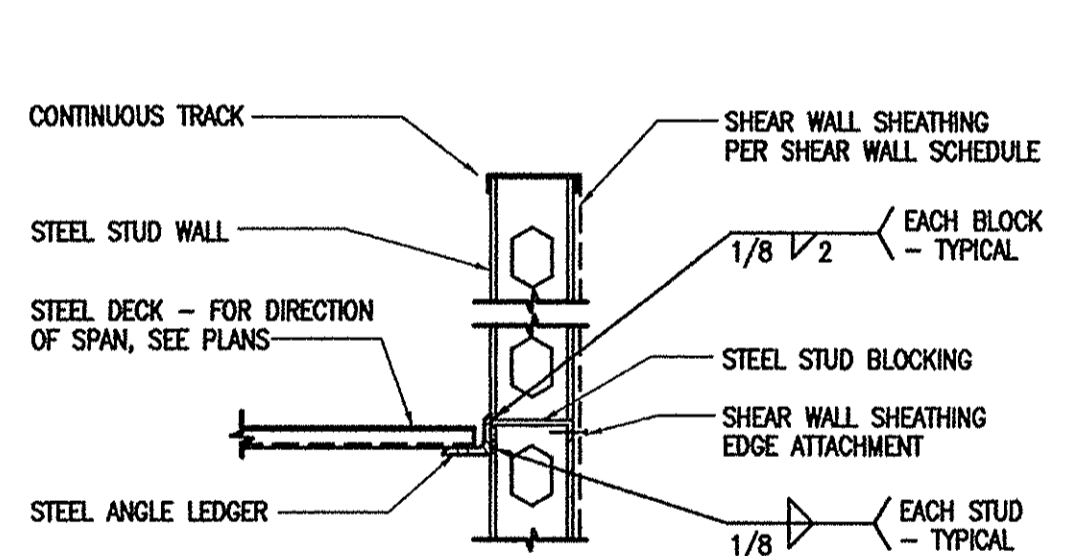
204 STEEL DECK AT CMU WALL 574.15 R



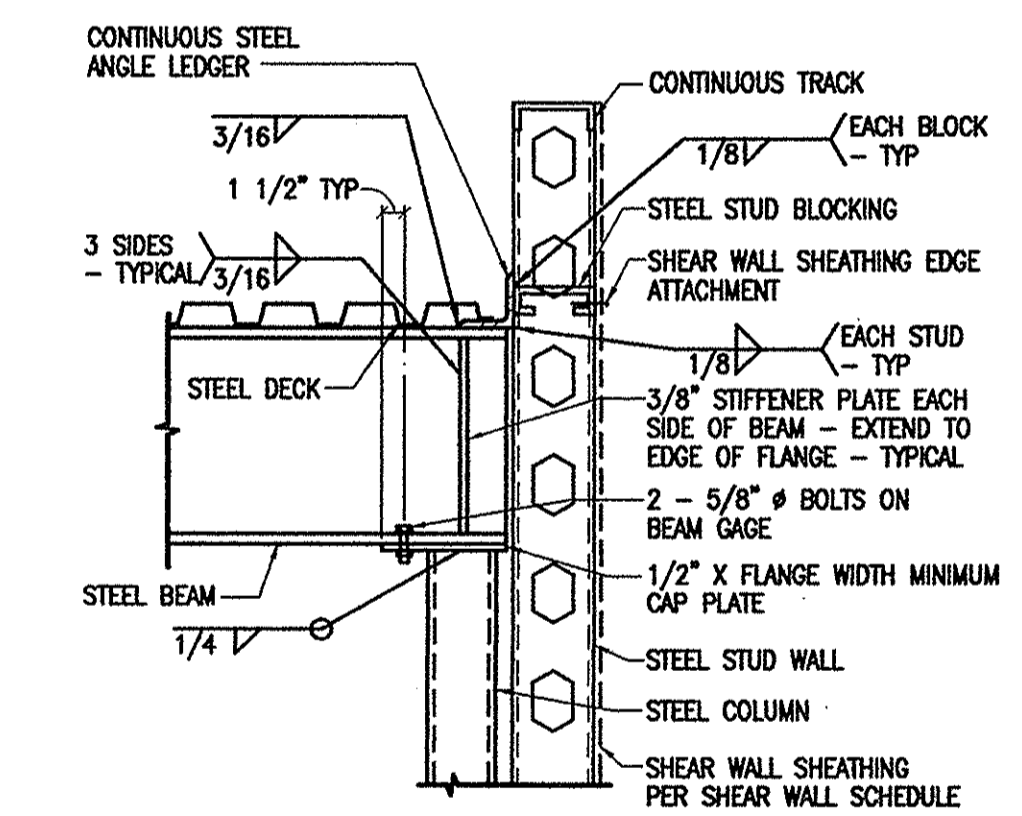
205 STEEL DECK AND STEEL STUD CONNECTION TO STEEL BEAM 578.06A R



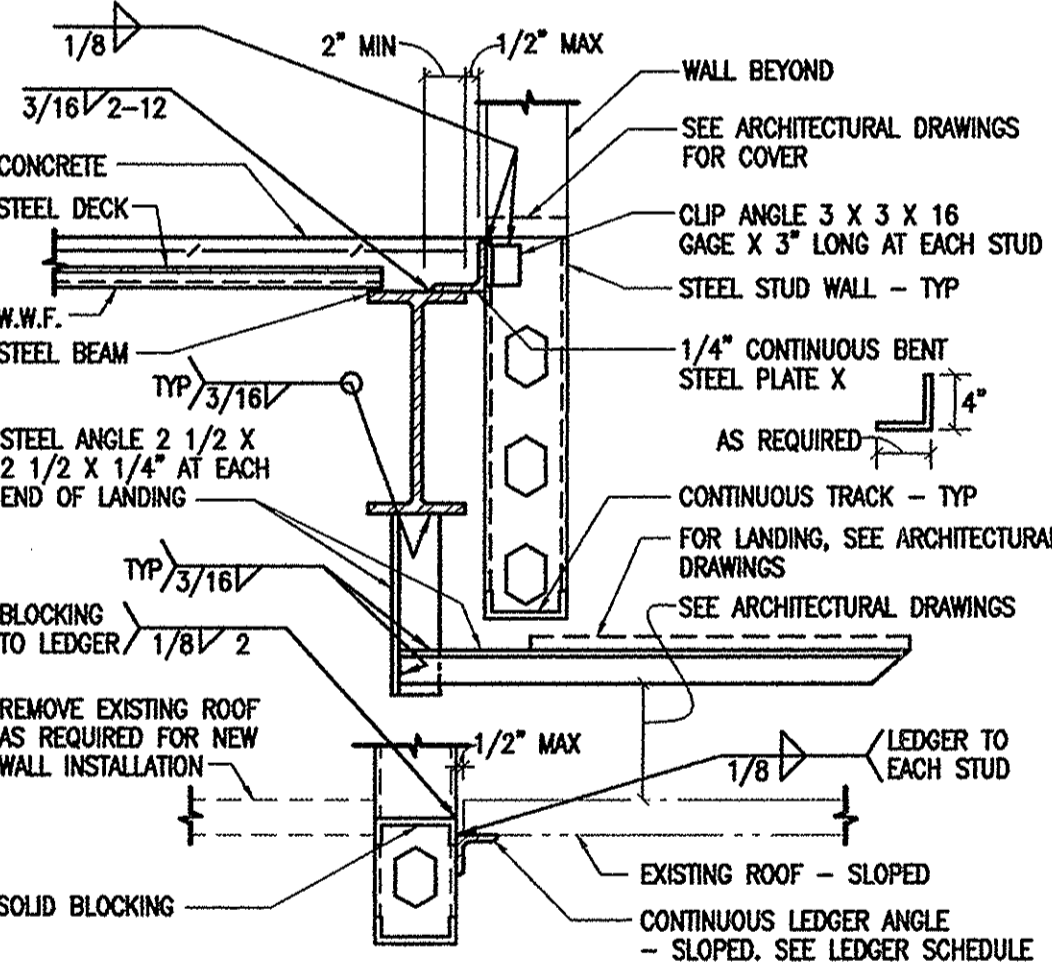
206 STEEL STUD WALL AT STEEL DECK 578.07 R



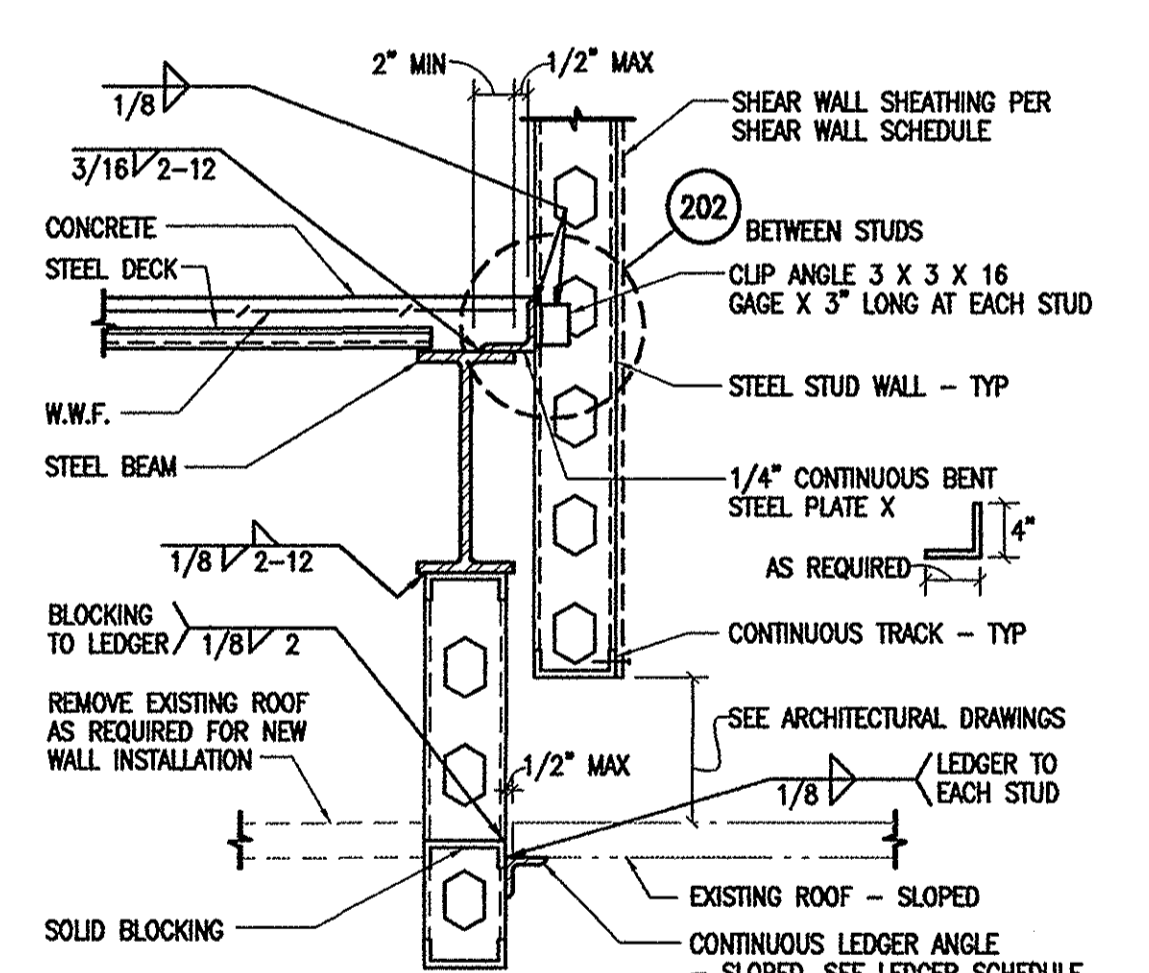
207 STEEL DECK CONNECTION TO STEEL STUD WALL 578.01



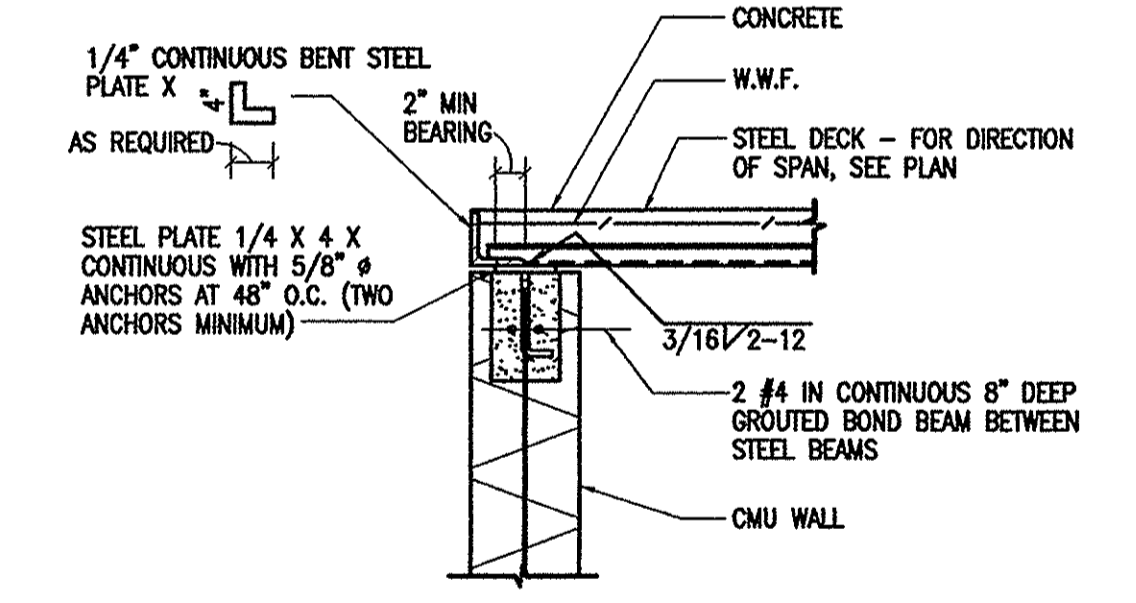
208 STEEL BEAM END CONNECTION AT STEEL COLUMN 513.01 R



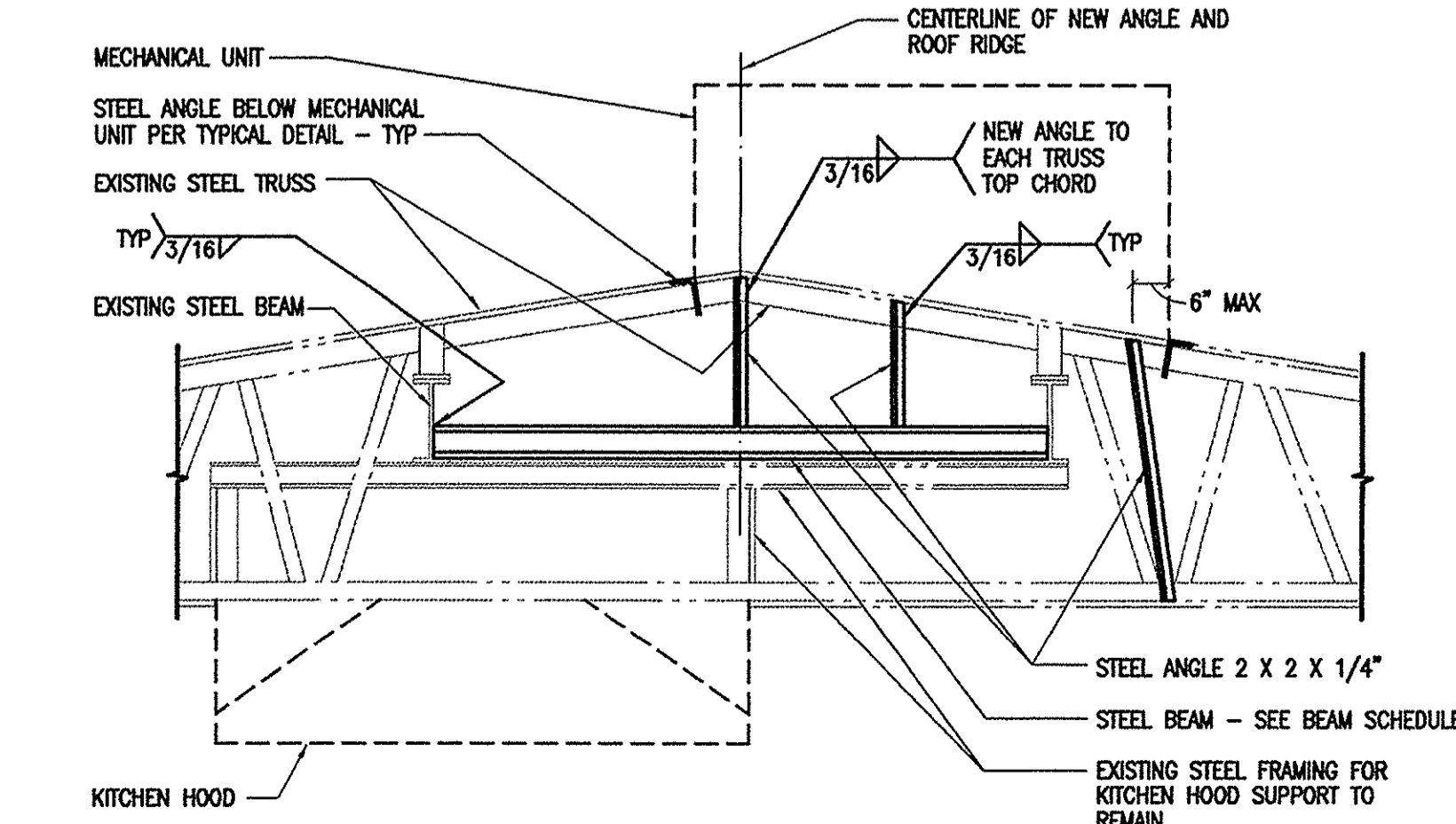
209 STEEL DECK AND STEEL STUD CONNECTION TO STEEL BEAM AT DOOR STEP 578.06A R



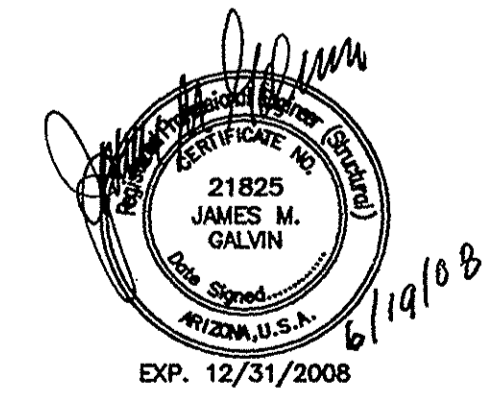
210 STEEL DECK AND STEEL STUD CONNECTION TO STEEL BEAM 578.06A R



211 STEEL DECK AT CMU WALL 574.15 R



212 STEEL FRAMING TO EXISTING FRAMING AT NEW MECHANICAL UNIT T06053



**TLC P**  
**STRUCTURAL INC.**  
 3040 N. 4TH STREET, SUITE 1 PHOENIX, ARIZONA 85018  
 2802 N. AVENUE WAY, SUITE 100 TUCSON, ARIZONA 85712  
 602-553-8155 520-523-7689  
 FAX 602-553-8255 FAX 520-523-1937

THESE DRAWINGS ARE COPY WRITTEN BY TLC P STRUCTURAL, INC. ANY REPRODUCTION OR USE IN WHOLE OR IN PART (INCLUDING INDIVIDUAL DETAILS) WITHOUT WRITTEN PERMISSION IS STRICTLY FORBIDDEN. ©

FRAMING DETAILS 201 THRU 220

REV	DATE	DESCRIPTION	BY
APPROVED		STRUCTURAL ARCHITECTURAL MECHANICAL ELECTRICAL	
DEPARTMENT OF HEALTH AND HUMAN SERVICES INDIAN HEALTH SERVICE ENGINEERING SERVICES DALLAS TEXAS			
SELLS HOSPITAL HVAC PHASE III SELLS, ARIZONA			
DRAWN	RWP	CHECKED JMG	SCALE AS NOTED DATE 19 JUNE 2008
JSR		FRAMING DETAILS	
JOHNSON SMITTHIPONG & ROSAMOND ARCHITECTS, INC. ARCHITECTURE		PROJECT NUMBER TU3SE051H8	DRAWING NUMBER <b>S4.1</b>
SHEET			